

# DOBRADIÇAS OCULTAS / CONCEALED HINGE / BISAGRAS OCULTAS

NEW

## IN.05.064 COPLAN SERIES 120

**Dobradiça invisível com ajuste 3D.**  
(registo internacional) /  
3D adjustable invisible hinge.  
(international design registry) /  
Bisagra invisible adjustable 3D.  
(registro internacional) /

**ACABAMENTO / FINISH / ACABADO:**  
RAL 9006

**OPTIONAL: COATED**  
(BLACK/ GOLD/ COPPER/WHITE)

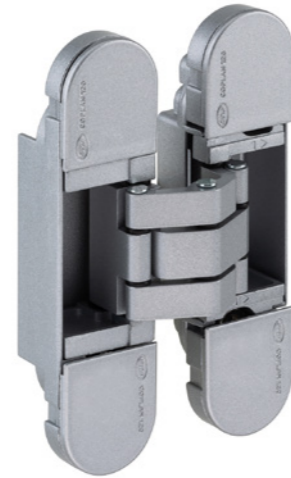
**.B / .SG / .SC / .W**

EN1935 27201140 7

**200,000 CYCLES TESTED**

**IN.05.061 + KI.05.061**  
**Dobradiça invisível com ajuste 3D + Kit**  
**intumescente / 3D adjustable invisible**  
**hinge + Intumescent Kit**

EN1935 27211140 7



FIREPROOF

3x Max. **80kg**  
100.000 CYCLES

3x Max. **60kg**  
200.000 CYCLES

2x Max. **50kg**  
100.000 CYCLES

RAL 9006

RAL 9005  
BLACK



**IN.05.064.B**  
black coated  
RAL 9005

EN1935 27201140 7

GOLD



**IN.05.064.SG**  
gold coated

EN1935 27201140 7

COPPER



**IN.05.064.SC**  
copper coated

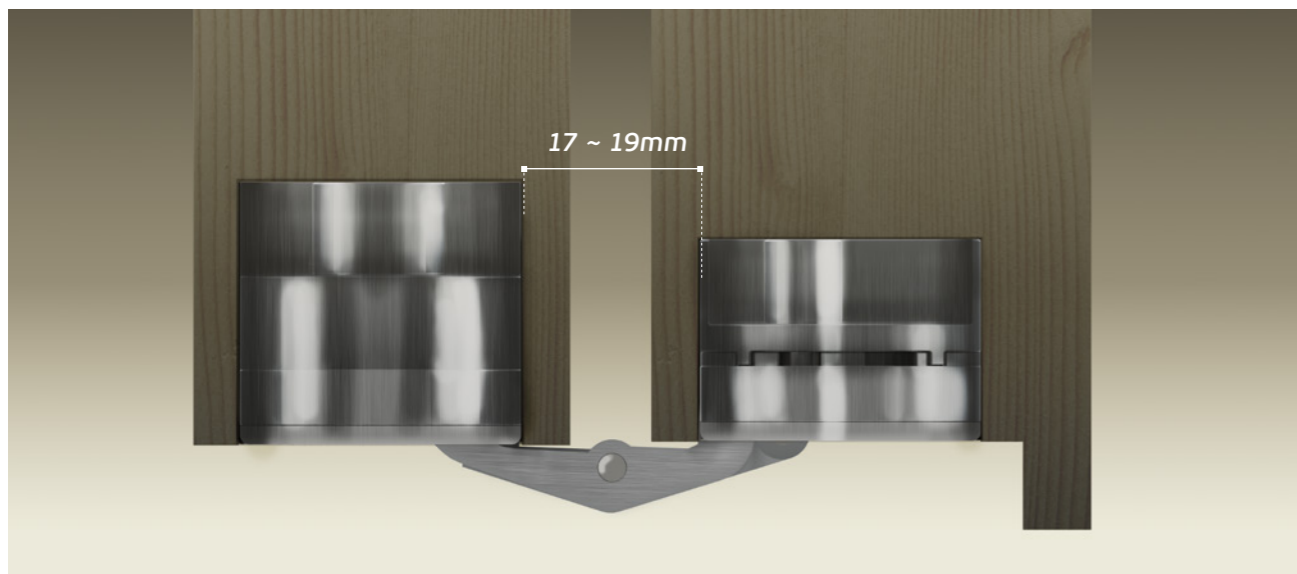
EN1935 27201140 7

RAL 9016  
WHITE



**IN.05.064.W**  
white coated  
RAL 9016

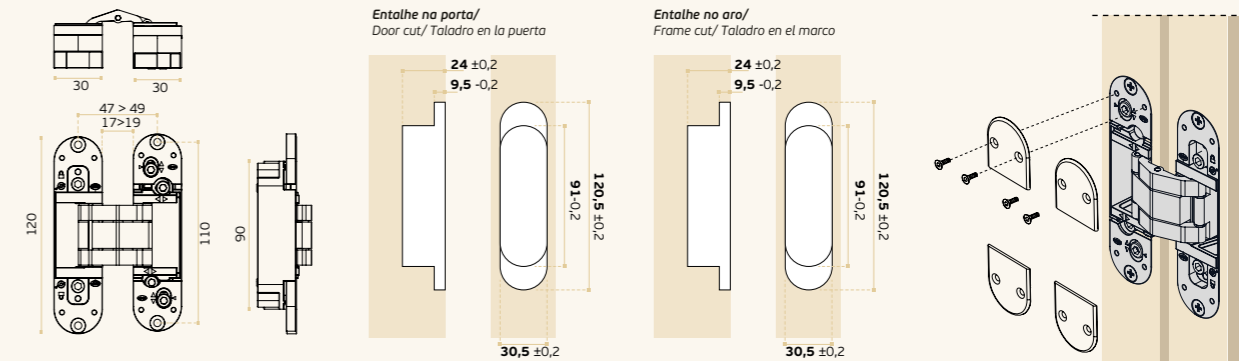
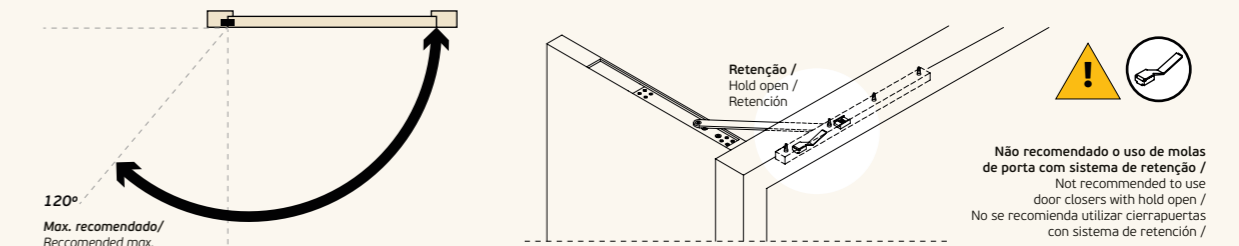
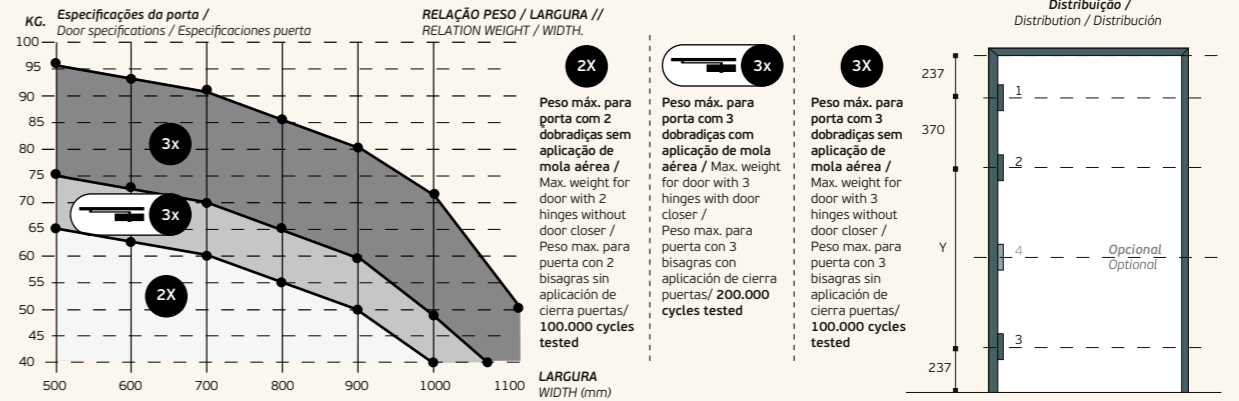
EN1935 27201140 7



**ESPESSURA MÍN. DE PORTA**  
MIN DOOR THICKNESS  
ESPEJOR MÍNIMO DE PUERTA **36 mm**

**MAINTENANCE FREE**

**3D ADJUSTMENT HINGES**



Porta / Door / Puerta	Aro / Frame / Marco	X	Y	Z	(mm)
		36	3	3	
		40	5	5	
		44	7	7	

**Tampas decorativas em aço inox com parafusos (acessório opcional) /**  
Decorative stainless steel covers with screws. (optional accessory) /  
Cubiertas decorativas en acero inoxidable con tornillos. (accesorio opcional)

