

SAMUEL HEATH

Product Number: P6974SP

Description: Bowfell sprung door levers, 116mm

Technical information

Length: 116mm (56mm Projection)

Spindle: 8mm Square suits 44mm door



Finishes Available



Chrome Plate



Polished Nickel



Non Lacquered Brass



Stainless Steel Finish



City Bronze



Matt Black Chrome



Polished Brass



Satin Chrome



Bronze Finish



Antique Brass Unlacquered



Brushed Gold Gloss



Brushed Gold Matt



Antique Brass Matt

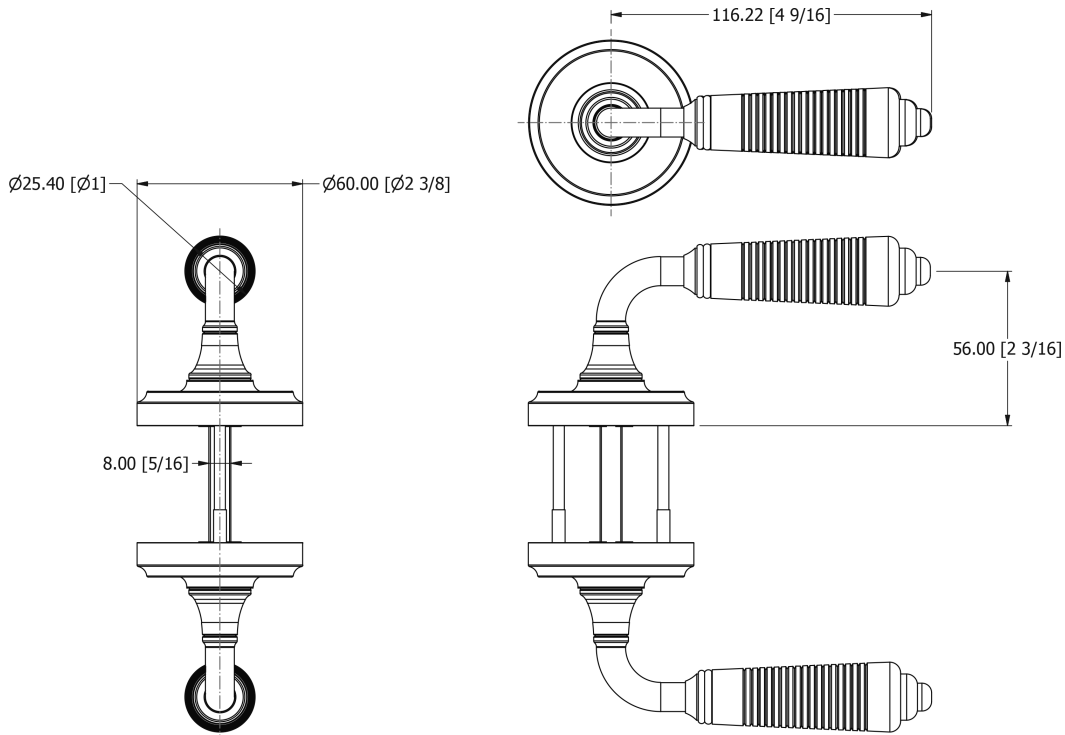


Antique Brass Gloss



Amber Brass

Specification Drawing



UK Customer Service

Leopold Street
Birmingham
B12 0UJ
Tel: +44 121 766 4200
Email: info@samuel-heath.com

US Customer Service

Federal I.D. No. 58-1504682
Email: usa@samuel-heath.com

Specification Enquiries

Design Centre Chelsea Harbour
1st Floor, North Dome, London
SW10 0XE
Tel: 020 7352 0249
Email: showroom@samuel-heath.com

1-21/05/2024