

SAMUEL HEATH

Product Number: L41

Description: Toilet brush with ceramic container



Finishes Available



Chrome Plate



Polished Nickel



Antique Gold



Polished Brass



Antique Brass Matt



Antique Brass
Gloss

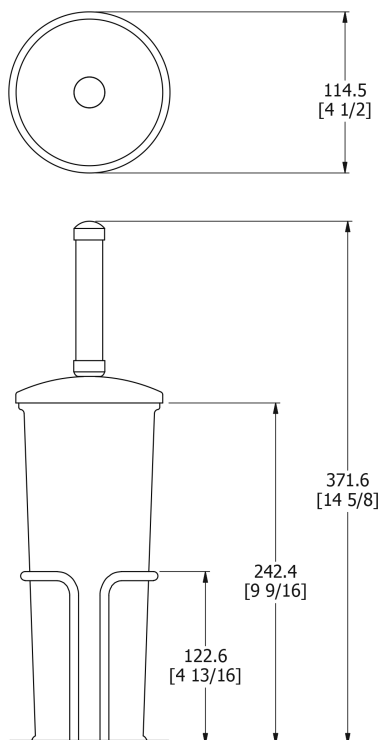


Amber Brass



Anthracite

Specification Drawing



UK Customer Service

Leopold Street
Birmingham
B12 0UJ
Tel: +44 121 766 4200
Email: info@samuel-heath.com

US Customer Service

Federal I.D. No. 58-1504682
Email: usa@samuel-heath.com

Specification Enquiries

Design Centre Chelsea Harbour
1st Floor, North Dome, London
SW10 0XE
Tel: 020 7352 0249
Email: showroom@samuel-heath.com

1-20/11/2024